

Heavy-Duty TENSION SENSOR

Model TE-24

5 Tension Ranges

0–1000 g up to 0–20.0 Kg

Heavy-duty, hardened steel rollers makes this model especially suitable for tire cord and similar filaments and wires subjected to high-impact loading.



FEATURES

- Precision strain gauge sensing insures highest accuracy and repeatability
- 30 mm hardened steel rollers are rated for linear speeds up to 2400 m /min
- 0–1 V DC output, proportional to tension (0–10 V DC optional)
- Frequency response of 1000 Hz
- Surface mount electronics provide long-term reliability
- Optional 5 ft. cable

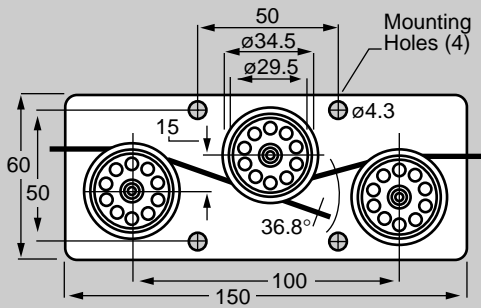
TENSION RANGES

Model #	TE-1K-24-01	TE-2K-24-01	TE-5K-24-03	TE-10K-24-03	TE-20K-24-04
Range	0–1000 g	0–2000 g	0–5.00 Kg	0–10.0 Kg	0–20.0 Kg

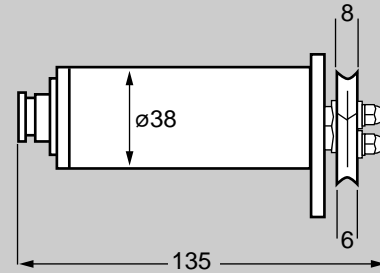
MODEL TE-24

TECHNICAL DATA & SPECIFICATIONS

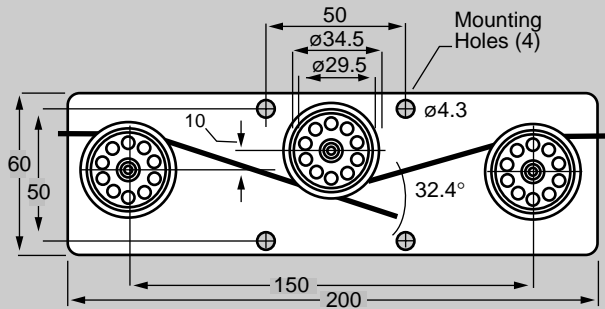
Dimensions – Model TE-XX-24-01



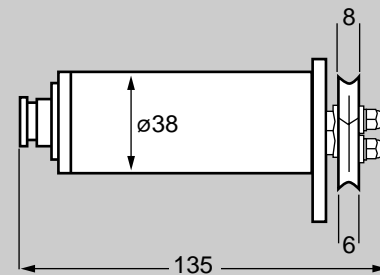
All dimensions in mm.



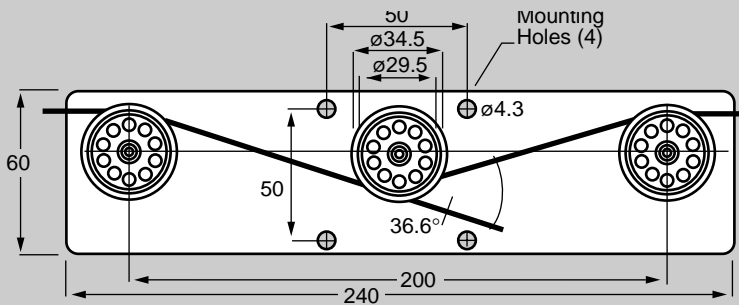
Dimensions – Model TE-XX-24-03



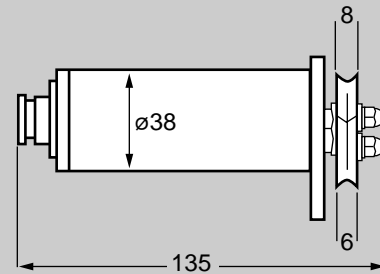
All dimensions in mm.



Dimensions – Models TE-XX-24-04



All dimensions in mm.



Specifications

Accuracy	±1.5% FS or better
Sensor Excitation	+15 and -15 V DC, regulated
Middle Roller Deflection	0.5mm (maximum)
Sensor Output	0-1 V DC (standard), 0-10 V DC (optional), proportional to tension
Overload Rating	150% FS

Housing Material	Aluminum
Spacing of Outer Rollers	See dimensions above
Roller Diameter (Root)	29.5 mm
Roller Material	Hardened Steel
Maximum Linear Speed	2400 m/min
Operating Temperature	40 to 105 °F (5-40 °C)

Specifications subject to change without notice.

ELECTROMATIC

EQUIPMENT CO., INC.

600 Oakland Ave., Cedarhurst, NY 11516-U.S.A.
TEL 516-295-4300 • FAX 516-295-4399

For additional information
or to place an order
CALL TOLL FREE
1-800-645-4330

Visit our internet site at <http://www.checkline.com>